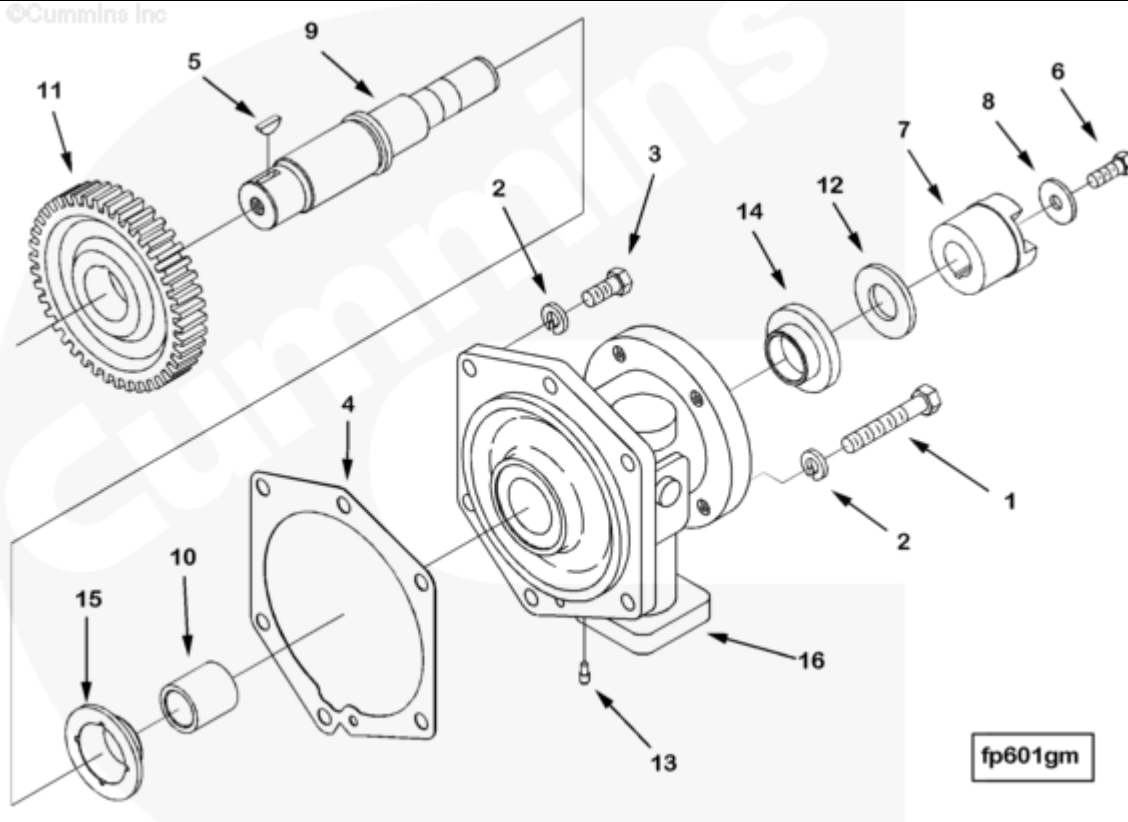




Parts Catalog - Option Detail

Electronic Parts Catalog - Option Detail				
Option	Group	Graphic	Film Card	Date
FP6722-01	09.01	fp601gm	K38	25-OCT-96
Engines	GTA38, K38, KTA38GC CM558, QSK38 CM2150 K106, QSK38 CM2150 MCRS, QSK38 CM850 MCRS			



[SMALL](#) | [MEDIUM](#) | [LARGE](#)

Cart	Ref No	Part Number	Part Description	Required	Remarks
View My Cart					
		FP6722-01	Fuel Pump Drive		Fuel Pump Mounting...(More)
					applications less compressor.
<input type="checkbox"/>	1	S 162 A	Hexagon Head Cap Screw	4	7/16 - 14 X 2 3/4 in.
<input type="checkbox"/>	2	S 610	Lock Washer	6	7/16 in.
<input type="checkbox"/>	3	103023	Hexagon Head Cap Screw	2	7/16 - 14 X 1 in.
<input type="checkbox"/>	4	3046852	Accessory Drive Support Gasket	1	
<input type="checkbox"/>		3022725	Fuel Pump Support	1	

<input type="checkbox"/>	5	S 316	Plain Woodruff Key	2	
<input type="checkbox"/>	6	129510	Hexagon Head Cap Screw	1	3/8 - 16 X 1 Inch.
<input type="checkbox"/>	7	158826	Jaw Coupling Hub	1	
<input type="checkbox"/>	8	170664	Plain Washer	1	3/8 Inch.
<input type="checkbox"/>	9	206646	Fuel Pump Drive Shaft	1	
<input type="checkbox"/>	10	206664	Gear Spacer	1	
	11	207253	Accessory Drive Gear	1	
<input type="checkbox"/>	12	3014103	Plain Washer	1	1 1/32 Inch.
<input type="checkbox"/>		3631005	Fuel Pump Support	1	
<input type="checkbox"/>	13	3176552	Tamper Proof Seal	1	
<input type="checkbox"/>	14	3629856	Bushing	1	
<input type="checkbox"/>	15	3629857	Bushing	1	
	16	3629858	Fuel Pump Support	1	